

# MINI DIAPHRAGM VACUUM PUMP LABOPORT® N 86 KT.18

DATA SHEET E 210



## Technical features

- 100 % oil-free transfer – thereby pure transferring, evacuation and compression of gases
- Extremely low footprint
- PTFE-coated diaphragm is ideal for aggressive/ corrosive gases and vapors
- Environmentally friendly

## Technical data

Flow rate [m <sup>3</sup> /h] at atm. pressure	0.33
Flow rate [l/min] at atm. pressure	5.5
Ultimate vacuum [mbar abs.]	160
Operating pressure [bar]	2.5
Voltage [V]	230
Frequencies [Hz]	50
Motor protection	IP 20
Power P <sub>1</sub> [W]	60
Operating current [A]	0.6
With thermal switch and power fuse	
Motors with other voltages and frequencies on request	

## MATERIALS

Pump head	PPS
Diaphragm	PTFE-coated
Valves	FFPM

## OTHER DATA

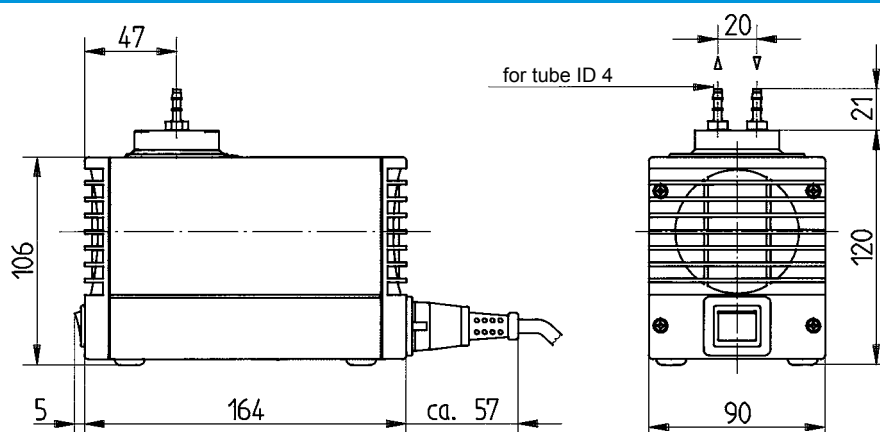
Weight [kg]	1.9
Hose connections	ID 4
Dimensions W x H x D [mm]	90 x 141 x 164
Permissible media and ambient temperature [°C]	+5 ... +40

## ACCESSORIES

ACCESSORIES	ID
Silencer	000345
Hose connector G 1/8, ID 4, PVDF	025671
G 1/8, ID 6, PVDF	123363
G 1/8, ID 4, PA	001936
G 1/8, ID 6, PA	000360
G 1/8, ID 8, PA	004975
Fine control valve with pressure gauge	001786
Fine control valve with vacuum gauge	001787
Spares kit	043242

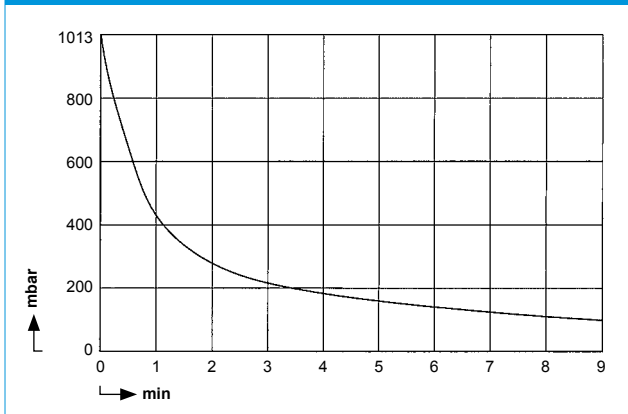
## Dimensions

N 86 KT.18

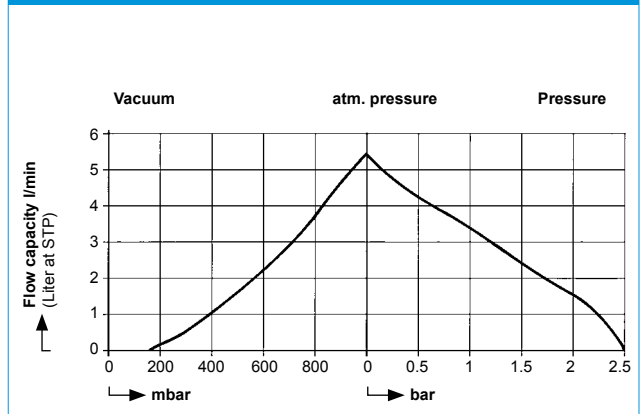


## Performance characteristics

**PUMP DOWN TIME FOR 5 LITER VESSEL**



**FLOW CAPACITY**





# WolfLabs

**Pricing on any accessories shown can be found by keying the part number into the search box on our website.**

The specifications listed in this brochure are subject to change by the manufacturer and therefore cannot be guaranteed to be correct. If there are aspects of the specification that must be guaranteed, please provide these to our sales team so that details can be confirmed.

**[www.wolflabs.co.uk](http://www.wolflabs.co.uk)**

**Tel : 01759 301142**

**Fax : 01759 301143**

**[sales@wolflabs.co.uk](mailto:sales@wolflabs.co.uk)**

Please contact us if this literature doesn't answer all your questions.